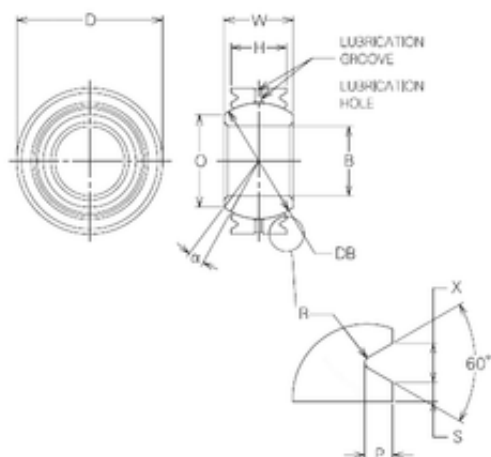




América SKF BELEZA IFM Polícia.



10 mm x 21 mm x 10 mm NMB MBG10VCR Rolamentos simples

Bearing No. MBG10VCR

Size	10x21x10 mm
Bore Diameter	10 mm
Outer Diameter	21 mm
Width	10 mm
d	10 mm
D	21 mm
B	10 mm
C	8 mm
P	1 mm
Db	16,669 mm
X	1,4 mm
O	13,3 mm
B	10 mm
D	21 mm
H	8 mm
R	0,5 mm
S	0,7 mm
W	10 mm
Angle	8 °
Weight	0,019 Kg
Static load rating radial (C0)	49,81 kN

MBG10VCR Bearing 2D drawings and 3D CAD models