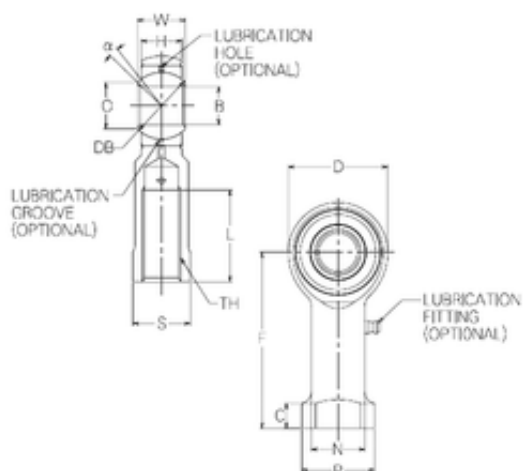




América SKF BELEZA IFM Polícia.

22 mm x 52 mm x 22 mm NMB HR22 Rolamentos simples

Bearing No. HR22



HR22 Bearing 2D drawings and 3D CAD models

Bore Diameter	22 mm
d	22 mm
P	36 mm
Db	34,92 mm
O	27,1 mm
B	22 mm
C	12 mm
D	52 mm
F	85 mm
H	19,3 mm
L	47 mm
N	28 mm
S	30 mm
W	22 mm
Angle	6 °
Thread (TH)	M22 x 1,5